

AC203&AC303 THERMOSTAT

Instructions



- ★ Simple Room Thermostat
- ★ Blue backlight(Optional)
- ★ Remote Floor Sensor(Optional)

SPECIFICATIONS

Set-point range: 5°C to 40°C

Accuracy: ± 1°C

Switch current rating: AC203 < 2A
AC303 < 16A

Sensing element : NTC

Control Performance:

ON/OFF control, 2°C differential

Display: LCD

Power supply: 230Vac ± 10% 50/60 Hz

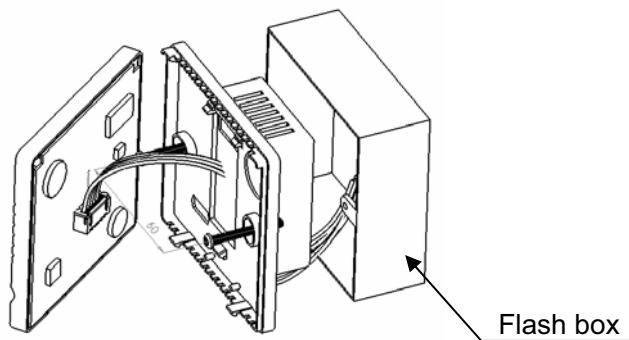
Dimensions: 86 × 86 × 13 mm

Housing: ABS Flame Retardant

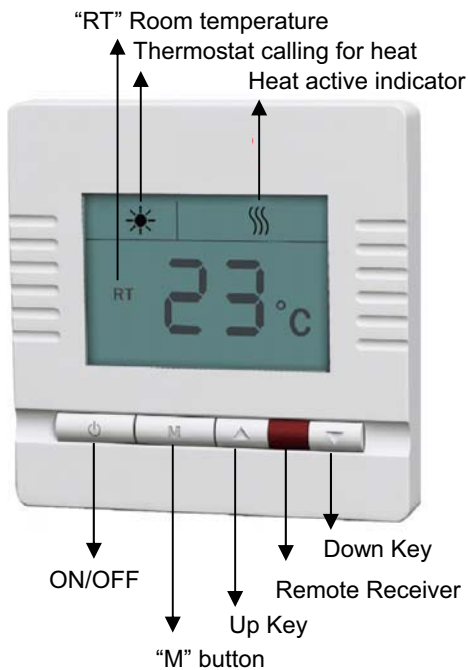
Operating Rating:

0 ~ 40 °C, 5 ~ 95 %RH (non-condensing)

MOUNTING



BUTTON DESCRIPTION



WIRING DIAGRAMS

