

H-BOX... Central Connection Boxes

H-BOX... Multi-loop central connection boxes are designed for connecting room thermostats and electro-thermal actuators to make your electrical wire allocation & installation more convenient, also it can provide a relay output and a potential-free output for both boiler and pump to make your floor heating system worked more efficient

Also you can even enjoy a comfortable temperature controlling by equipping H-BOX... together with a programmable timer to optimize your control of floor heating systems

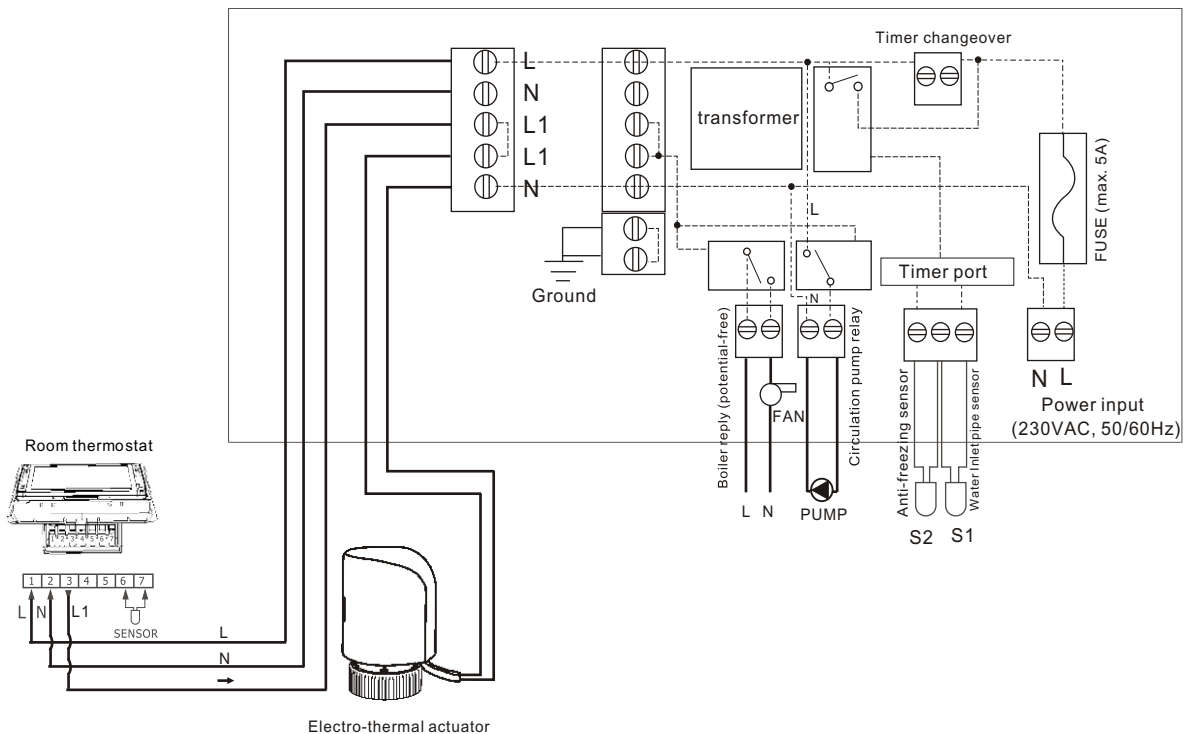
Selection table

Model	Outputs	Timer
H-BOX-8	8	No
H-BOX-12	12	No
H-BOX-8T	8	Yes
H-BOX-12T	12	Yes

Technical datas:

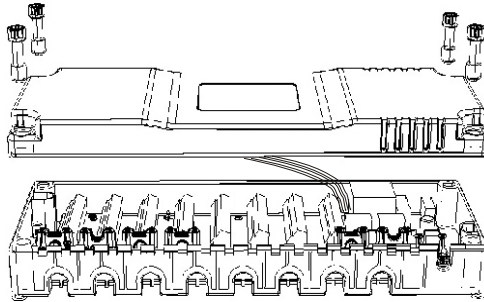
Supply voltage	230VAC, 50/60Hz
Output voltage	230VAC, 50/60Hz
Max. Load	4A
Max. zone outputs	12 zones
Replay output (2 minutes delay)	1× SPST independent relay output (230Vac, 3A) 1× SPST potential free relay output Two relays will be engaged whenever one or more thermostats call for heating, The relays will be disengaged when all the zone thermostats stop heating activity
Timer changeover	Please short-circuit the changeover terminal when you don't connect the box with a timer
Ambient temperature	0°C~50°C
Dimension (mm)	310W ×110H ×55D

Wiring Diagram

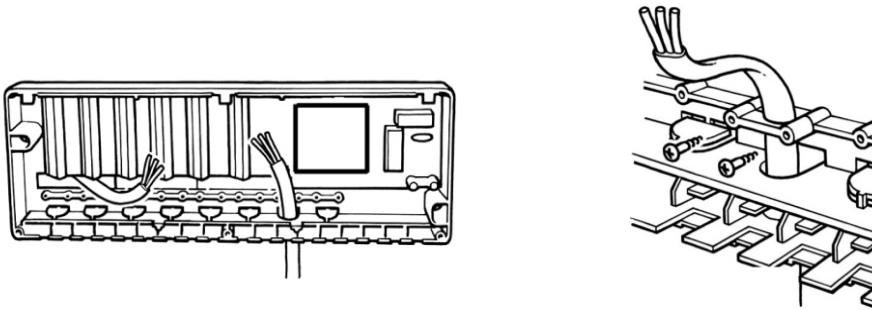


Mounting steps:

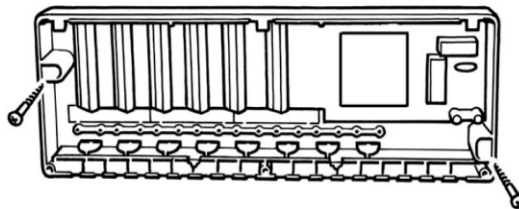
- ① disassembling the upper cover



- ② Wiring cables for power, thermostats, auxiliary relays and actuators



- ③ fixing the box



- ④ fixing the cables and closing the cover

